

Bozamet Automotive



Facility III has began operating for the automotive industry since 1958. It spans over 115 000 m² of Siedlce industrial district, with over 38 000 m² taken up by production halls, support buildings and storage

BOZAMET Sp. z o.o. means top quality, top efficiency and top service. Our success clearly shows, that our methodology is very good. We are flexible and are able to adapt to new challenges and high expectations of the automotive industry. Top car manufacturers have trusted our products and services. It is the result of our individual solutions and ability to innovate. We offer comprehensive handling of automotive industry projects, beginning with prototyping, designing and creating tools and equipment all the way to mass manufacturing.

» Competences



1.

Full automated stamping & forming lines (over 30 presses (30T –800T) incl. automatic feeding)

Samyang presses line:

- 800T with feeder
- 500T
- 400T
- 400T with feeder

Samyang presses table dimension:

- 2000 mm x 2800 mm
- 8 x BLISS line 300T presses

2.

Welding

- MIG/MAG/TIG welding
- robot MAG welding
- robotized spot welding
- Robotized laser welding
- Bonding/gluing (robotized and manual)
- Clinching



3.

Surface treatments:

- wet painting
- powder painting
- KTL painting
- zinc plating
- shot blasting



4.

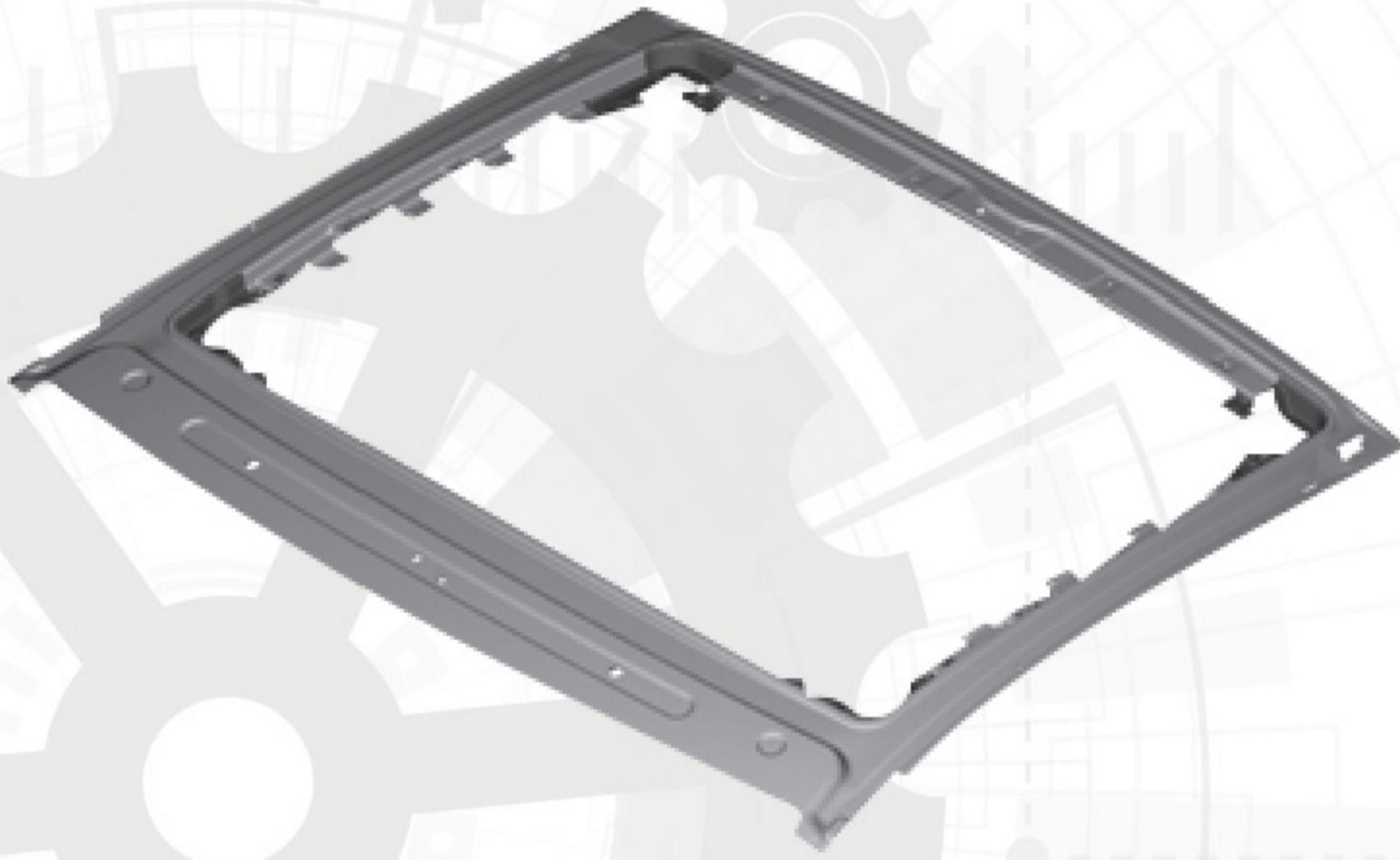
Additionally

- CNC laser cutting
- CNC plasma cutting
- CNC punching
- CNC deburring
- NC bending



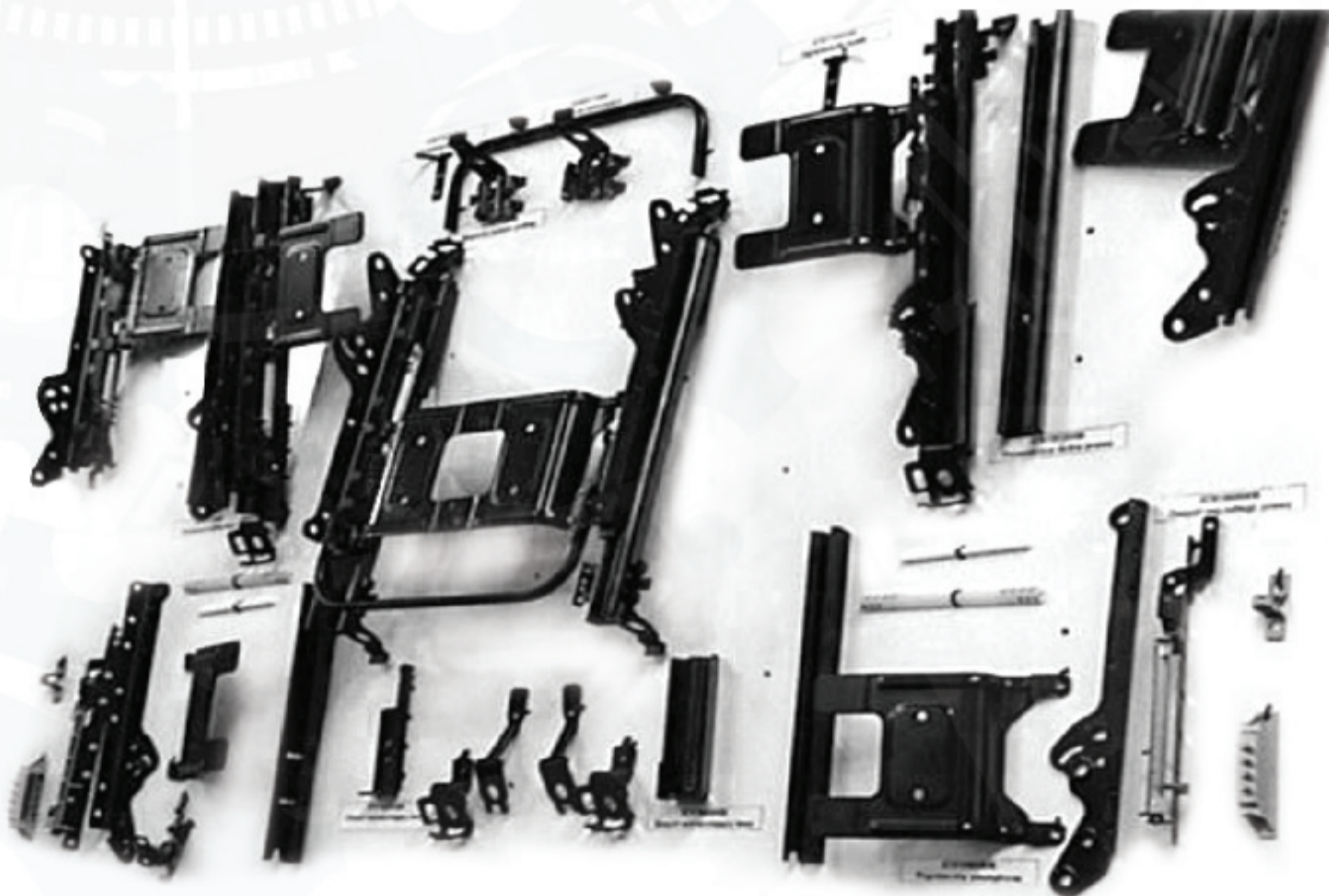
Products for Automotive

Product 1 | Sun roof frames



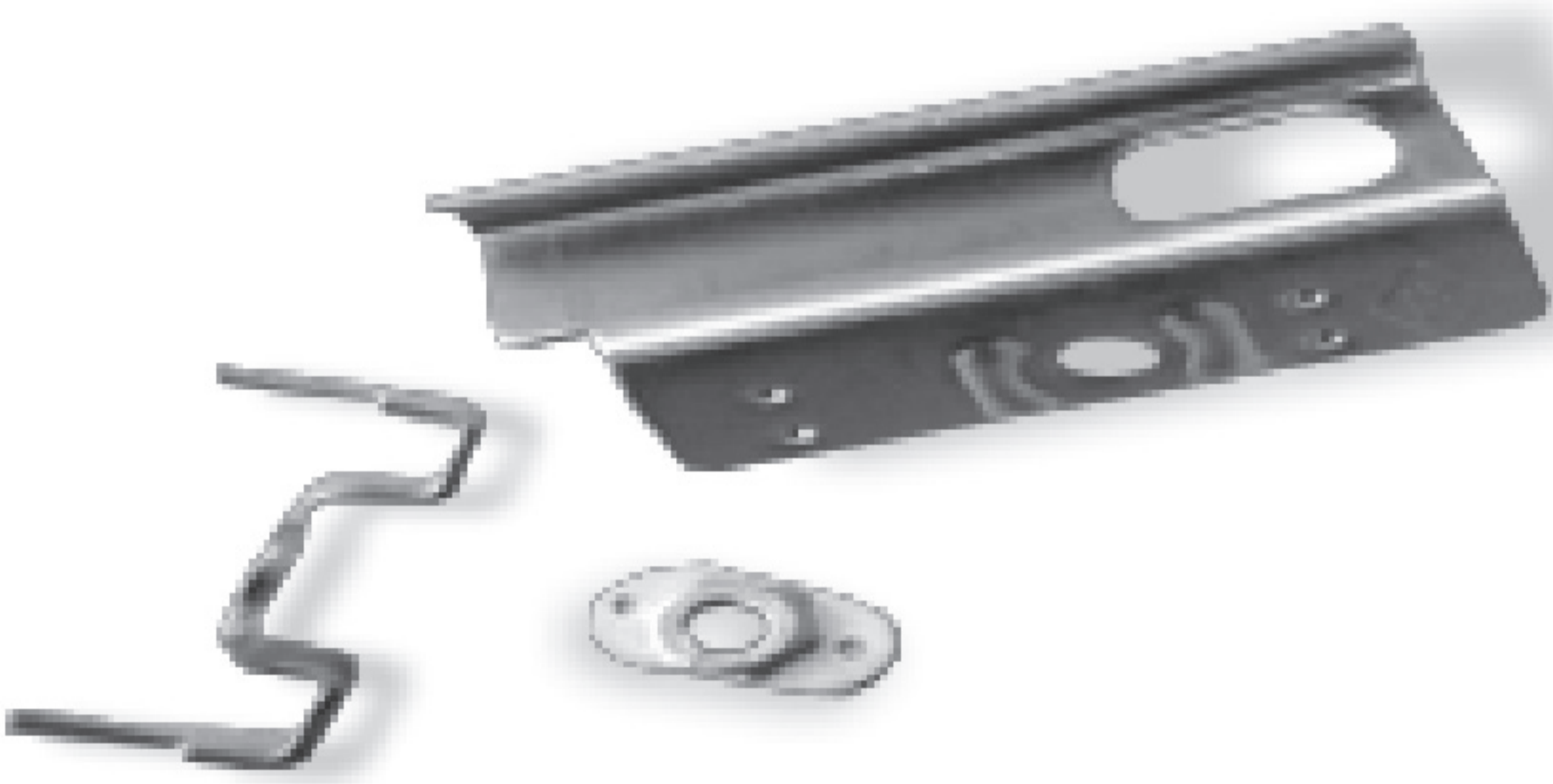
Product 2 | Seat steel structure

Product 3 | Rail system for 2 nd row seats for 5 and 7 seater



Product 4 | Rail system for seats

Product 5 | Brackets



Product 6 | Kinematics steel sheet



Certificates

Management - ISO 9001:2008
 - ISO/TS 16949
 Welding - EN 1090
 - EN 15085-2 CL1
 Bonding - DIN 6701 A3 (Goal A2 2017)
 Products - EN 12642

Environmental - ISO 14001 in 2019
 Business - Reliable Company
 Awarded - Business Gazelle Awarded

VW Group Audyt / TIER 1 - PASSED in 2018

The image displays four certification documents. The first three are ISO 14001:2015 and ISO 9001:2015 certificates issued by DQS GmbH and IAF to BOZAMET Spółka z o.o. The fourth is a Zertifikat issued by Fraunhofer IFAM, certifying the company's suitability for Class A3 according to DIN 6701-2 for adhesive bonding of rail vehicles and parts.



Contact



Dominik Kornacki
 mob: +48 575 877 988
 phone: +48 25 644 35 29
 dominik.kornacki@bozamet.pl
 info@bozamet.pl

Bozamet Sp. z o.o.
 Production Plant no. 3 in Siedlce
 ul. Mjr. H. Sucharskiego 2
 08-110 Siedlce
 www.bozamet.pl